



SKIOLD TWIN DRUM CLEANER

TD480



SKIOLD MAKES THE DIFFERENCE!

SKIOLD TWIN DRUM CLEANER TD480

- Sealed design minimizing dust emission
- Efficient cleaning with two screens
- Cleaning capacity up to 3200 kg/h
- Optimized feed quality and economy
- Easy connection to e.g. SKIOLD disc mills
- Multiple screen sizes
- Adjustable height
- Optional "by pass"



SKIOLD TWIN DRUM CLEANER TD480

The SKIOLD twin drum cleaner is designed for efficient cleaning separating both under- and oversized impurities from many different sorts of raw materials for animal feed e.g. wheat, barley, maize, peas, etc.

The SKIOLD twin drum cleaner meets the still higher demands on eliminating dust emission due to its sealed design and preparation for an additional dust-filtering unit if required.

The size of the first screen must be adapted to the materials to be cleaned, the required cleaning effect and capacity.

As an all round solution to raw materials like barley, wheat and peas a Ø12mm first screen is recommended.

The twin drum cleaner is equipped with a cleaning brush that ensures a constant cleaning of the second screen.

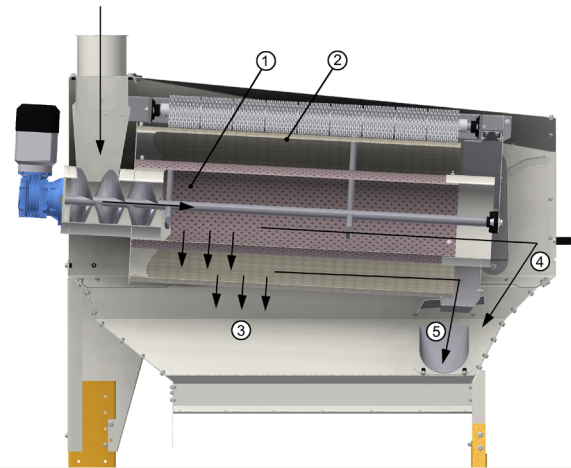
TECHNICAL SPECIFICATION

Motor (kW):	0,25
First screen area (m ²):	0,85
Second screen area (m ²):	1,5
Capacity max (t/h):	3,2

PROPOSED CONFIGURATION FOR PRE-CLEANING

	Grain	Maize
First screen (mm):	Ø12	Ø15
Second screen (mm):	Ø1,5 x 20	Ø1,5 x 20

More screen sizes available.



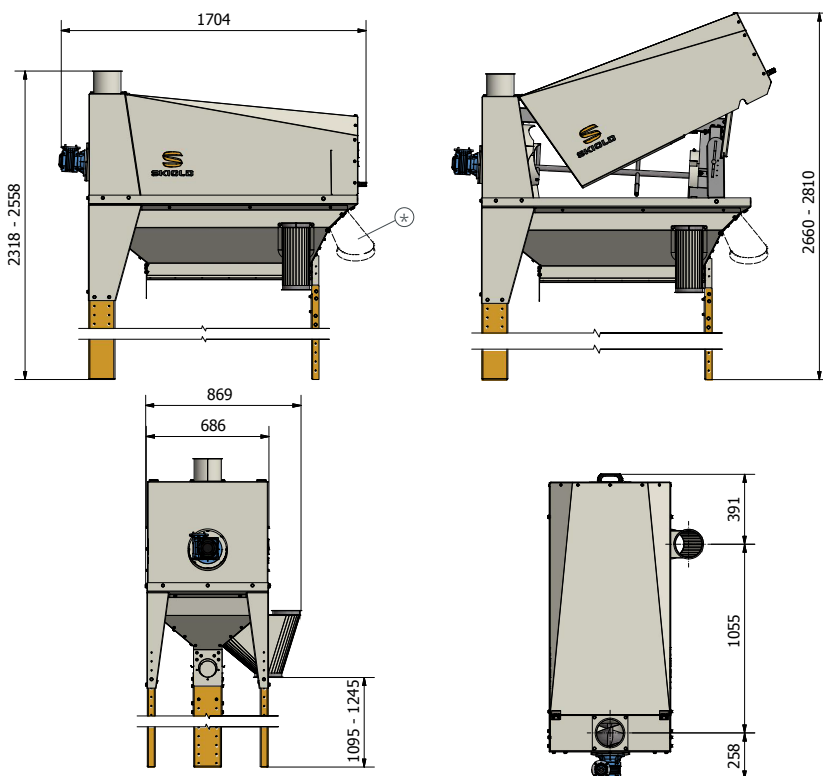
Cleaning principle:

1. First screen, many sizes
2. Second screen, many sizes
3. Small waste

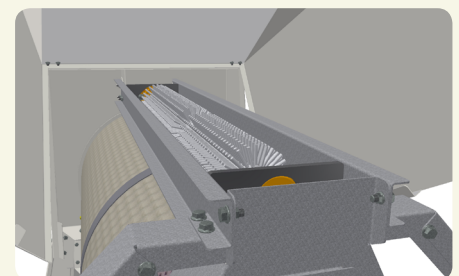
4. Large waste*

5. Cleaned material

*Possibility of extra outlet for large waste.



The twin drum cleaner is easy to clean. The cover is simply lifted without disconnecting the inlet.



It is important so keep the screen surface clean in order to ensure the capacity and function. The screen is effectively cleaned by a brush. The brush is easily replaced loosening four screws.