



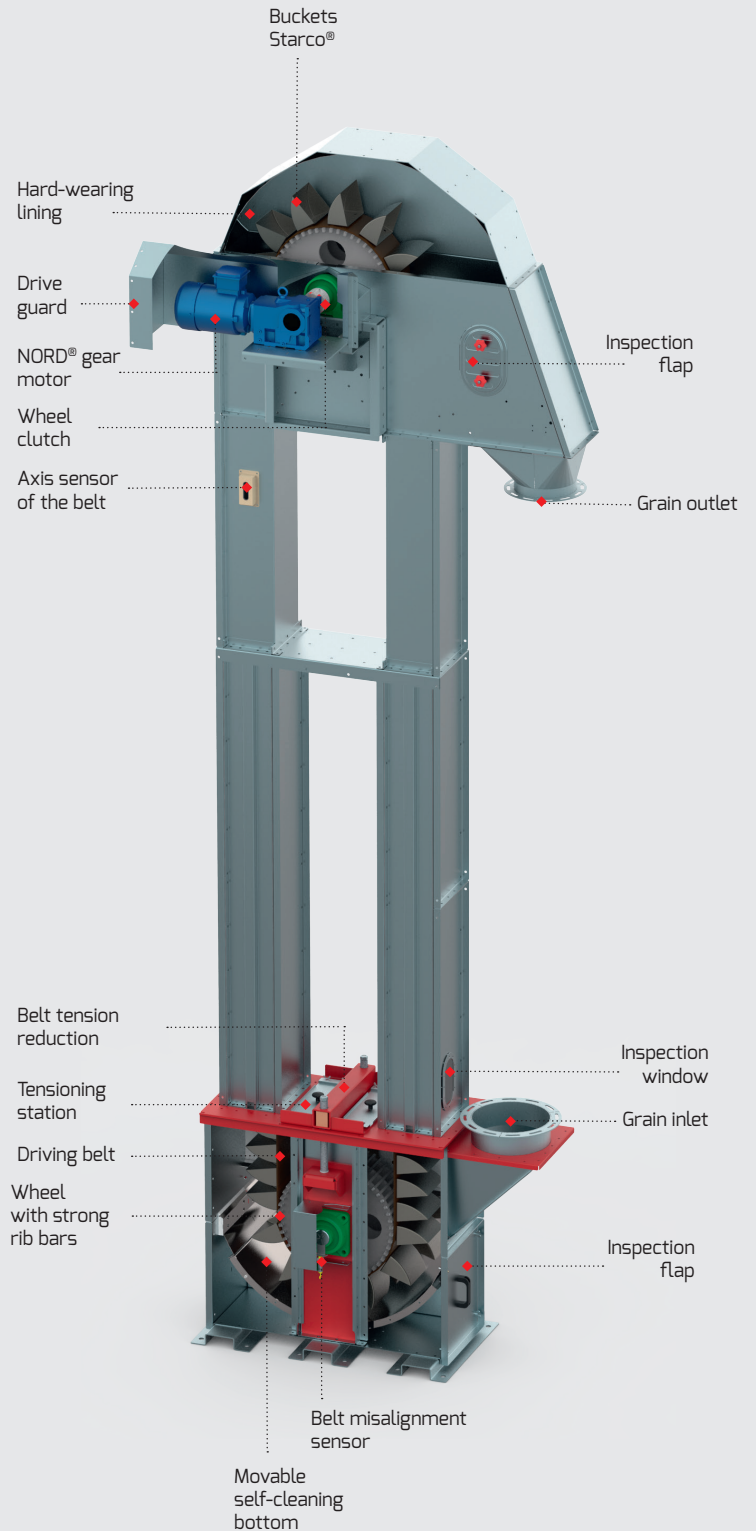
BUCKET ELEVATOR (PPK)

POLnet
silo



The Polnet Bucket elevators are designed for the vertical transport of all grains, seeds, granulated products and other loose materials with a maximum diameter 16 mm and a maximum moisture content of 25%. Bucket elevators are available in 3 sizes with high capacity conveying designed for high capacity conveying – up to 200 m³/h. Max length up to 30 m.

- Made entirely of constructional galvanized steel
- Wheel with rib bar
- Self-cleaning foot equipped with movable bottom
- High quality bearings, easy to maintain
- Areas subject to abrasion are protected with hard-wearing lining
- The elevator is bolted with galvanized screws with a hardness of 8.8
- The NORD gear-motor is enclosed in a head cover to protect it from weather conditions
- Properly profiled pulley prevents the belt from rubbing against the channel walls. A unique solution that causes the self-alignment of the belt on the wheel
- Wide belt adjustment, allowing its precise tension
- Robust and precise, laser-cut elements of the drive and tension wheel ensures long service life, failure-free and low wearing of the belt
- Optimal belt speed guarantees both gentle treatment of the grain and adequate ejection force during seed delivery.
- Equipped with reliable STARCO steel buckets with high durability. The screws of the buckets eliminate the possibility of unscrewing any of bucket from the belt
- Optional equipment with: motion detector, belt linearity sensor and foot overloading sensor, service platform and a support tower



POLnet

Polnet Sp. z o.o. i Wspólnicy
Spółka Komandytowa

ul. Sowia 13B
62-080 Tarnowo Podgórze
Poland

tel: +48 61 657 67 00
fax: +48 61 657 67 67

office@polnet.pl
www.polnet.pl



BUCKET ELEVATOR (PPK)

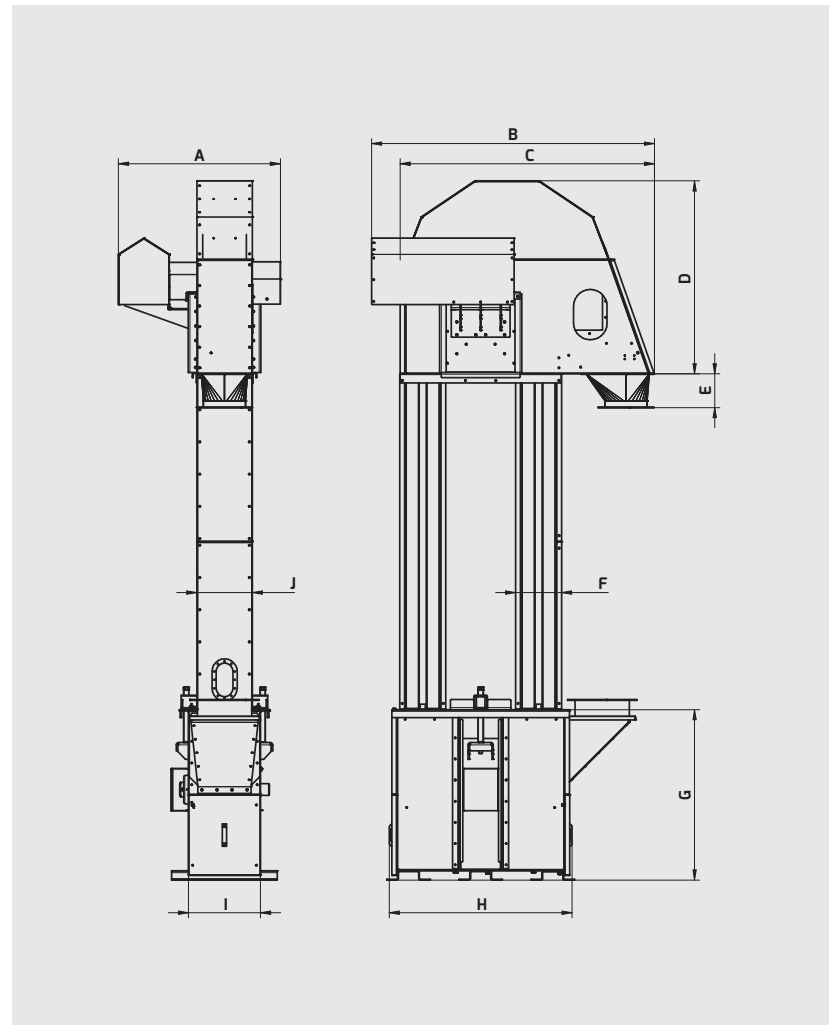
DIMENSIONS

	PPK 10/40 [mm]	PPK 60/100 [mm]	PPK 100/160 [mm]
A*	892	966	1272
B	1167(-)	1686	2038
C	1167	1516	1688
D	927	1150	1617
E	202	202	252
F	204	274	370
G	1044	1016	1208
H	790	1090	1088
I	247	430	400
J	240	330	402

Reinforced channel

F	204	242	333
J	240	324	390

*max dimension



TECHNICAL DATA

Model	¹⁾ Capacity [t/h]	Processing output [m ³ /h]	Max total height [m]	Belt speed [m/s]	Outlet dimension [mm]
PPK 10	10	13	35	3,1	Ø 200
PPK 20	20	26	35	3,1	Ø 200
PPK 30	30	40	35	3,1	Ø 200
PPK 40	40	53	35	3,1	Ø 200
PPK 60	60	80	35	3,1	Ø 250
PPK 60	60	80	43	3,1	Ø 250
PPK 80	80	107	43	3,1	Ø 250
PPK 100	100	133	43	3,1	Ø 250
PPK 120	120	160	43	3,1	Ø 330
PPK 150	150	200	43	3,1	Ø 330

¹⁾Capacity is given for wheat with a density of 760 kg/m³

The manufacturer reserves the right to make technical changes